



Series: IRS



INTERCHANGE: ISO 7241-1 series "A"

MAIN APPLICATIONS

- Agricultural equipment

"IRS" is a ball valve female coupling with a panel mounting double acting sleeve that allows connection and disconnection operation with a push-pull action that acts as a breakaway function.

They are mainly used in agricultural tractor applications where the breakaway function is requested to avoid breakage of the hydraulic connections during unintended disconnection.

It is available in size 1/2 for interchangeability in according ISO 7241-1 series "A".

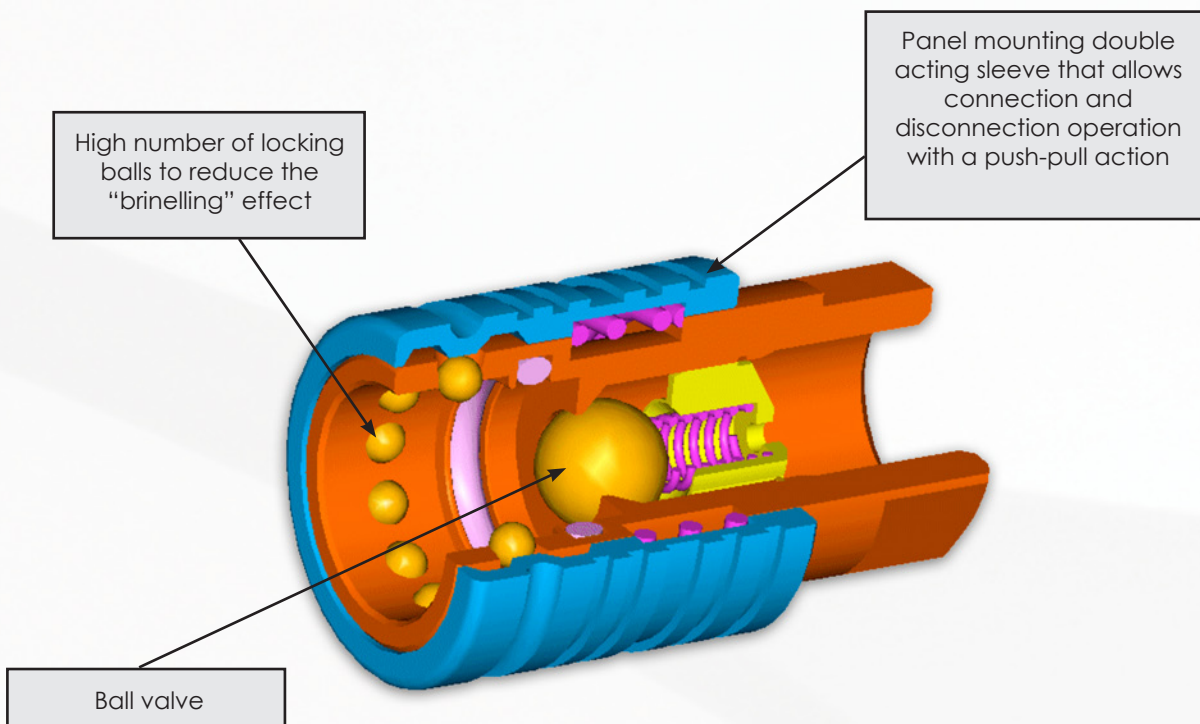


Stucchi[®]

A CONSTANT FLOW OF SOLUTIONS

TECHNICAL FEATURES AND OPTIONS

- Interchangeability: ISO 7241-1 series "A"
- Valve system: Ball valve
- Mechanical connection: Locking balls
- Connection system: Pushing the male coupling (push)
- Disconnection system: Pulling the male coupling (pull)
- Connection with residual pressure: Not allowed
- Disconnection with residual pressure: Not allowed
- Threads available: BSP, NPT
- Construction material: Carbon steel
- Surface treatment: CrIII zinc plated
- Springs: C72 steel
- Balls: Hard steel 100 C6
- Seals: standard in NBR (Nitrile)



BENEFITS

- Breakaway function to avoid breakage of the hydraulic connections in case of strong axial force.
- Ball valves in hardened steel provide a good wearing resistance.
- Compact slim design.
- Simple to use.

HOW TO USE

- For the breakaway function, the coupling must be mounted in a panel locking the sleeve using seeger/snap rings.
- Before connecting clean the mating parts of the couplings to avoid contamination in the circuit.
- To couple push the male coupling into the female coupling.
- To uncouple pull the male coupling.

WARNING!

- Do not couple-uncouple with flow and/or pressure in the circuit.
- Use protection whenever connecting or disconnecting with high temperature (max. allowed 80°C, 176 °F).
- When the couplings are disconnected, it is suggested to use the protection caps.
The Nylon clip cap for F-A13 or the Pvc cap for F-BIR12 are suitable.

PERFORMANCE

Description	Size	ISO Size	Rated flow		Max. flow suggested		Connect force		Disconnect force		Spillage *
			l/min	GPM	l/min	GPM	N	lbf	N	lbf	
IRS12A	1/2	12,5	45	11,93	90	23,85	100	22,50	90	20,25	2,30

Description	Max. operating pressure						Burst pressure					
	Coupled °		Male		Female		Coupled °		Male		Female	
	MPa	psi	MPa	psi	MPa	psi	MPa	psi	MPa	psi	MPa	psi
IRS12A	25	3625	-	-	20	2900	80	11600	-	-	55	7975

* Spillage is an indicative value of the fluid loss per couple-uncouple cycle.

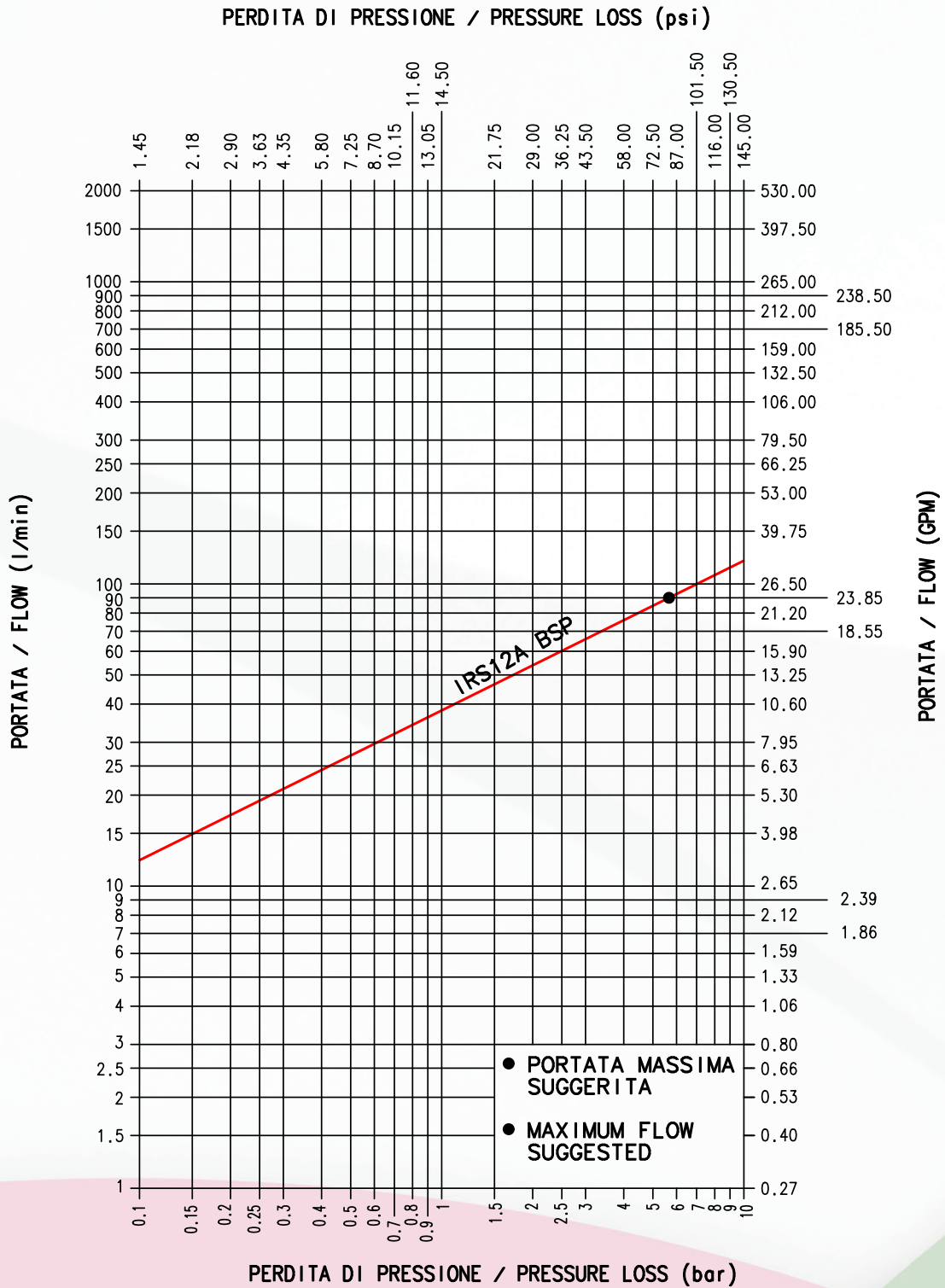
° Tested with male coupling IR12.

• Temperature range:

- Standard seals NBR (Nitrile): from -20 °C to +100 °C (from -4 °F to +212 °F).

PRESSURE DROP

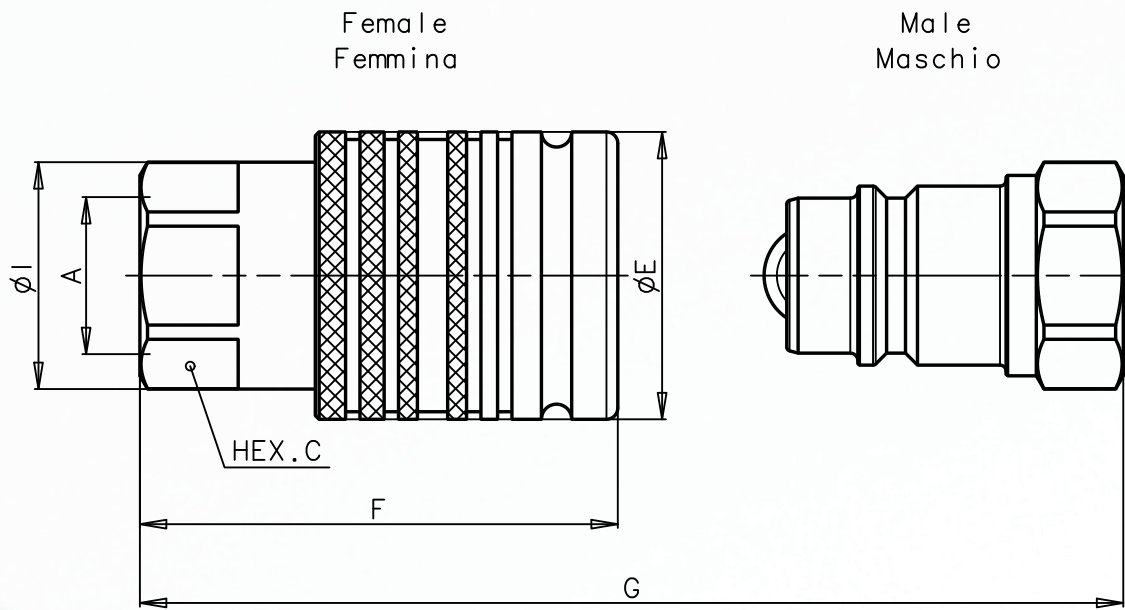
TESTS ESEGUITI IN CONFORMITA' A ISO 7241-2
 TESTS IN ACCORDANCE WITH ISO 7241-2



FLUIDO: OLIO ISO VG32
 TEMPERATURA: 40°C
 VISCOSITA': 28.8-35.2 mm²/s

FLUID: OIL ISO VG32
 TEMPERATURE: 40°C
 VISCOSITY: 28.8-35.2 mm²/s

OVERALL DIMENSIONS



FEMALE BSPB THREAD (DIN 3852)

Description	A	Unit	B	C	D	E	F	G	H	I	J	Unit	Weight	
													Male	Female
IRS12A BSP	1/2	mm Inch	- -	27 1,06	- -	38 1,50	63,2 2,49	(F+D) -21,5 (F+D) - 0,85	- -	30 1,18	- -	Kg lb	- -	0,288 0,63

FEMALE NPT THREAD (ANSI B.1.20.3)

Description	A	Unit	B	C	D	E	F	G	H	I	J	Unit	Weight	
													Male	Female
IRS12A NPT	1/2	mm Inch	- -	27 1,06	- -	38 1,50	63,2 2,49	(F+D) - 21,5 (F+D) - 0,85	- -	30 1,18	- -	Kg lb	- -	0,292 0,64

